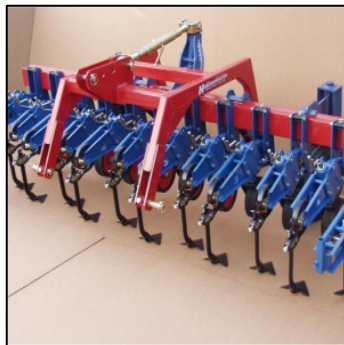




HABICHT
Cereal Hoe, front mounted

Type	Type
Working width	Working width
Attachment	Attachement
Row distance	Row distance



Type „ARGUS“

accurate cultivation close to the row

Type „HABICHT“

for working widths over 3m

Type „TELESCOPIC HOE“

for tool carriers and horse pulling

Type „RIDGE CULTIVATOR“

fits to Type HABICHT und Type ARGUS

All Systems for attachment in front, rear or tool carrier

HABICHT
Vegetable hoe 2-rows, rear mounted

Type	Type
Working width	Working width
Attachment	Attachment
Row distance	Row distance



HABICHT
Sugar beet Hoe, 12-rows, rear mounted with camera controlled steering

Type	Type
Working width	Working width
Attachment	Attachment
Row distance	Row distance



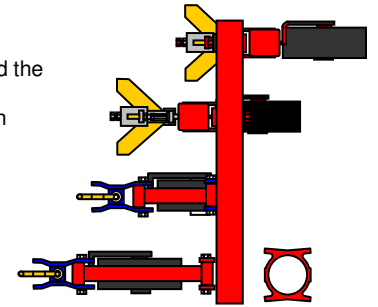
ARGUS
Vegetable Hoe 2/3 rows
with Fingerweeder for Fendt GT 231

Type parallel linkage
Working width up to 3 m
Attachment front, rear, tool carrier
Row distance min. 25 cm



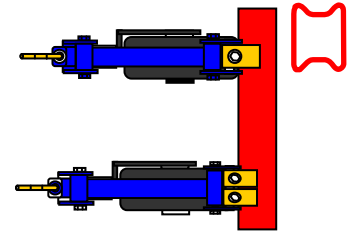
Telescopic Hoe module

- to mount in front or behind the toolbar
- very compact construction



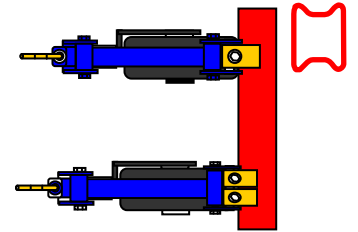
Parallel module „Standard“

- short, normal, long
- height adjustable support wheel
- clearance 50 to 75 cm



Parallel module „Special“

- Reinforced version
- height adjustable support wheel
- clearance up to 80 cm



Cultivator-module

each knife is spring loaded, suitable to the parallel module

Cultivator module, 1 tooth, short

Cultivator module, 1 tooth, long

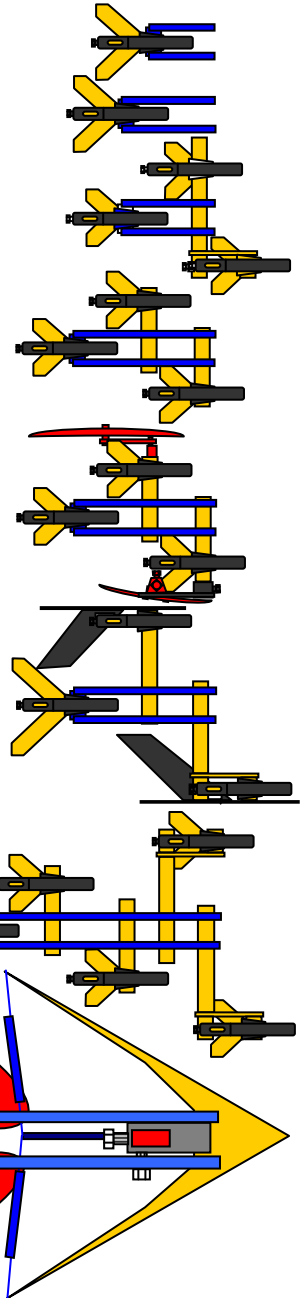
Cultivator module, 3 tooth, short

Cultivator module, 3 tooth, long

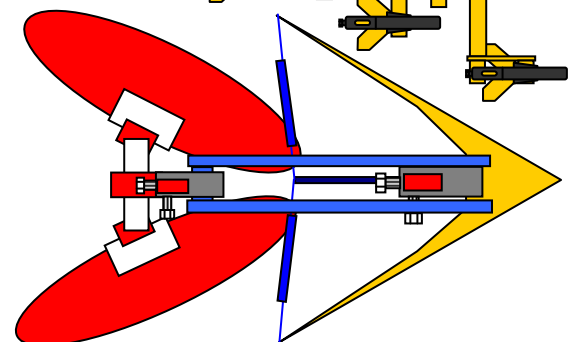
Cultivator module, 3 teeth, long
with crop protection discs

Cultivator module, 3 teeth, long
with special square-turn knives

Cultivator module, 5 teeth

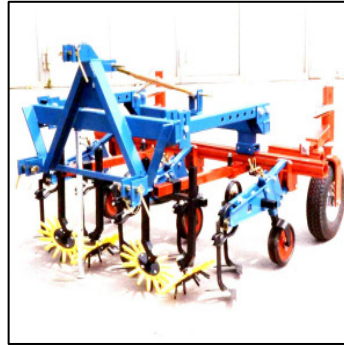


Cultivator module 5 teeth, with „Ridge Cultivator“:
Adjustable furrower and adjustable furrow discs



ARGUS
Strawberry Hoe 2 double rows
with Fingerweeder, front mounted

Type parallel linkage
Working width up to 3 m
Attachment front, rear, tool carrier
Row distance 40 – 110 cm



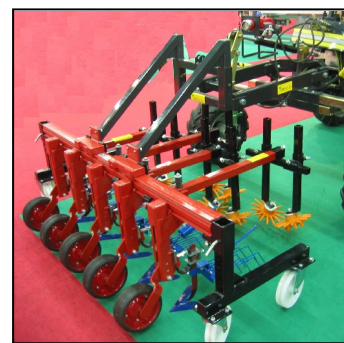
TELESCOPIC HOE Element
with spring and goosefoot share

Type Telescop linkage
Working width up to 3 m
Attachment front, rear, tool carrier
Row distance min. 20 cm



TELESCOPIC HOE
mounted on „MAC TRAC“ in front

Type	Type
Working width	Working width
Attachment	Attachment
Row distance	Row distance



HABICHT
„Ridge Cultivator“ mounted in tool carrier

Type „Ridge Cultivator“
Working width up to 3 m
Attachment front, rear, tool carrier
Row distance min. 40 cm

