

MENC-INOX series

Positive displacement self priming stainless steel pump with flexible impeller and IEC 72 UNEL-MEC motors



- Flow rate up to 930 lt/min
- Head up to 35 mt
- Operating temperature max 70°C
- Operating pressure max 3 bar
- Motors from 0.34 HP to 6 HP - 570 + 1400 RPM
- AISI 304 high thickness stainless steel pump casing and synthetic rubber impeller
- Suitable for viscous liquids with suspended solids

Self-priming pump

The special design of the pump casing ensures an immediate suction, even when running dry, up to a depth of 5/6 metres

Delicate pumping action

The low speed motor ensures a gentle pumping action for delicate liquids, and a continuous and regular flow

Flow reversibility

The direction of rotation of the motor can be reversed to ensure a total flow reversibility, with identical performance for both directions of rotation



High thickness pump casing

High thickness steel (3/4mm) which ensures a higher mechanical and corrosion resistance, and therefore a longer life

Easy to dismantle

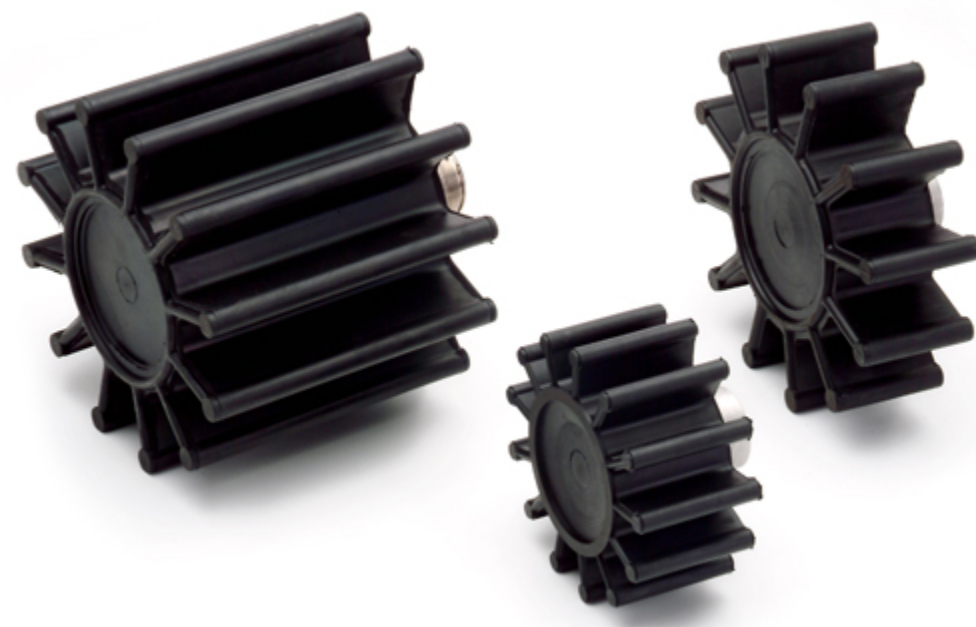
The cleaning and replacement of the mechanical seal and of the impeller are incredibly simple as the pump can be taken apart with ease

Standard motors

Motors compliant with IEC 72 UNEL-MEC standards, widely available in all national and international markets

Pump casing formed as a single piece

All pump casings are constructed from high thickness stainless steel sheet metal, which ensures quality and long life. The pump casings undergo continuous quality controls of the welds and are internally and externally polished to ensure the highest level of hygiene



Impeller made of non-toxic rubber

The impeller is made of synthetic rubber (Neoprene or EPDM) and is entirely non-toxic and resistant to several acids. The Neoprene impeller complies with the American FDA regulations related to the handling of food grade liquids

Mechanical gear unit

For the MENC-INOX 40 and 50 series a mechanical gear unit is available, which allows to achieve a pump rotation speed of only 570 RPM for a very gentle pumping action and for highly viscous liquids



The MENC-INOX series pumps have the following features:

- Immediate priming at a depth of up to 5 metres, even when running dry
- Flow reversibility
- Motors compliant with IEC 72 UNEL-MEC standards, widely available in all national and international markets should they need to be replaced or repaired
- Low speed motor, which ensures a gentle pumping action for delicate liquids
- Capacity to handle viscous and solid-laden liquids
- Flexible impeller made of entirely non-toxic synthetic rubber (Neoprene or EPDM) and resistant to different acids
- Mechanical seal made of NBR-graphite or NBR-tungsten carbide
- Continuous and regular pumping action

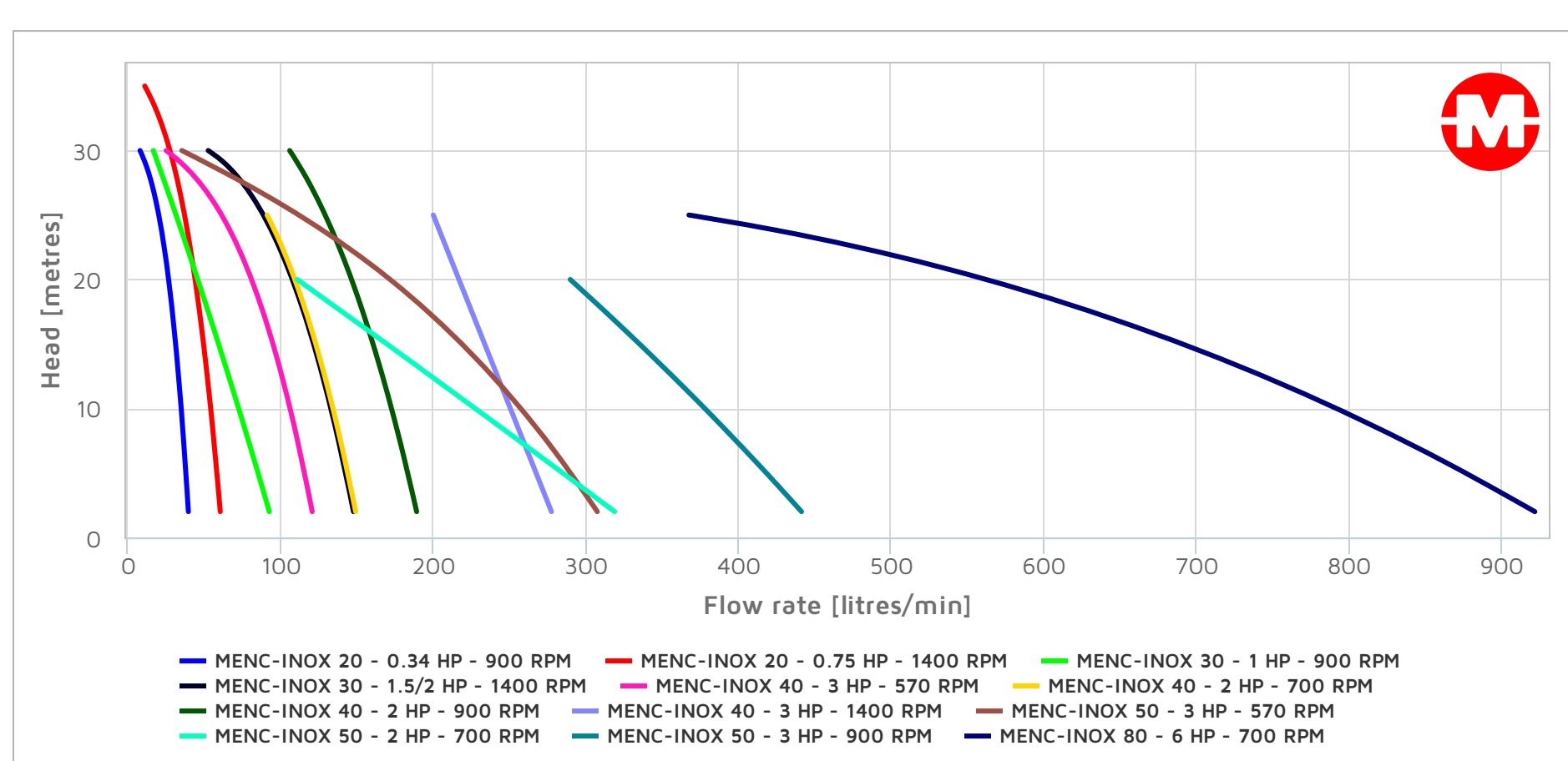
These features make these pumps exceptionally versatile. They can be used in the **chemical-pharmaceutical industry** (starch, wax, water-based glues, creams, cleaners, glycerine, glycols, latex, vegetable and animal fats, liquid soaps, syrups, shampoos, industrial water treatment, paints) and in the **wine-food industry** (beer, butter, melted cheese, glucose, milk and condensed milk, jam, honey, must, oil, cream, tomato sauce, fruit juices, eggs, yogurt, wine, destemmed grapes, liquid sugar).

On request, pumps can be supplied on a stainless steel carriage fitted with a rotation direction inverter.

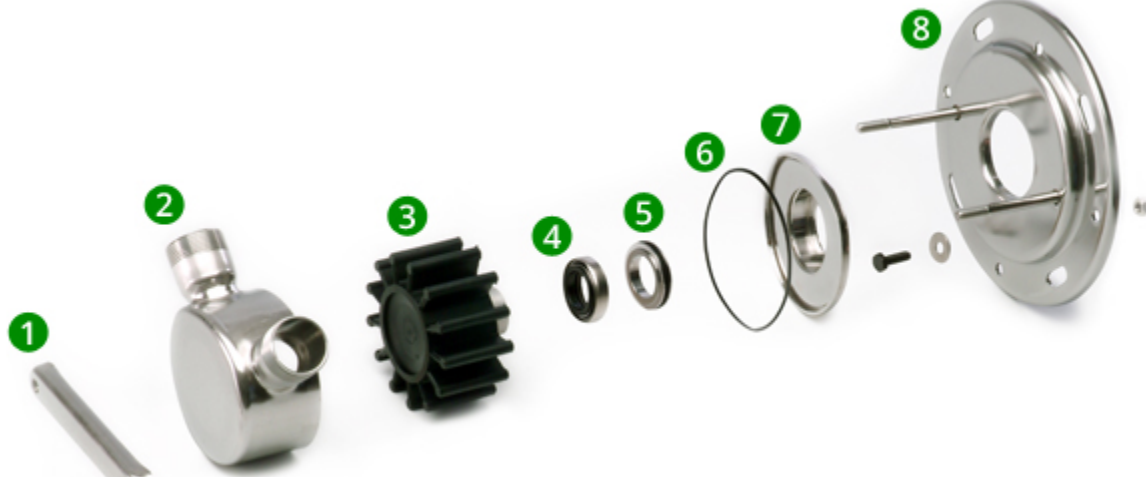
The pumps can also be supplied with DIN 11851, Garolla or Macon fittings.

Technical Specifications

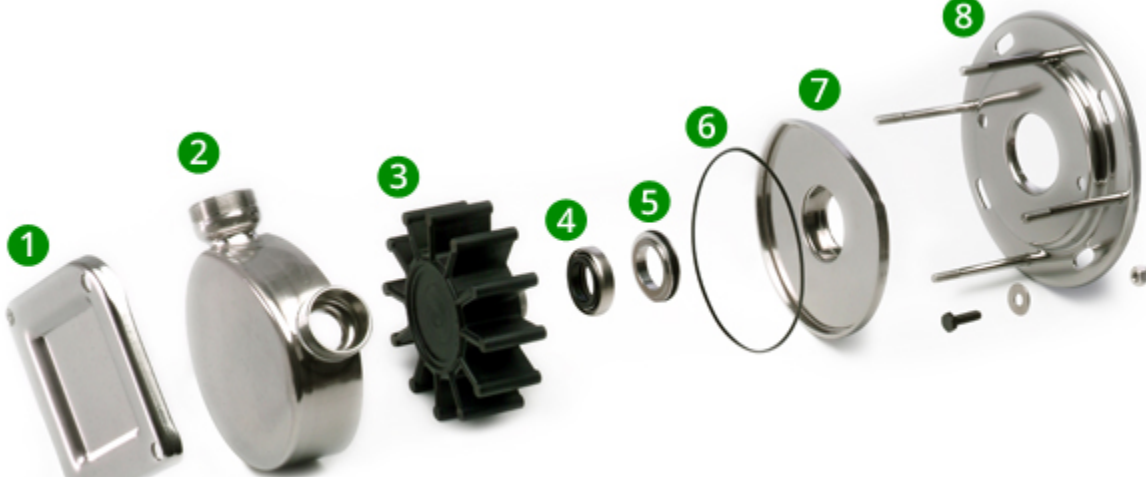
MOD	MOTOR				FLOW RATE [lt/min] ± 5%									Ø PORTS
	HP	KW	RPM	TYPE	2 mt	5 mt	10 mt	15 mt	20 mt	25 mt	30 mt	35 mt		
MENC-INOX 20	0.34	0.25	900	Three-phase	39	38	34	31	26	20	8	-	Ø 1" gas male thread or Ø 30mm couplings	
	0.75	0.55	1400	Three-phase	60	58	54	49	44	37	27	11		
MENC-INOX 30	1	0.75	900	Three-phase	92	85	72	59	45	31	16	-	Ø 1 1/4" gas male thread or Ø 40mm couplings	
	2	1.5	1400	Single-phase	147	142	133	121	107	88	52	-		
MENC-INOX 40	3	2.2	570	Three-phase	120	115	106	95	81	61	25	-	Ø 1 1/2" gas male thread or Ø 50mm couplings	
	2	1.5	700	Three-phase	149	144	134	123	109	91	-	-		
	2	1.5	900	Three-phase	189	183	172	160	146	129	106	-		
MENC-INOX 50	3	2.2	570	Three-phase	307	290	257	218	171	112	35	-	Ø 2" gas male thread or Ø 60mm couplings	
	2	1.5	700	Three-phase	319	284	227	169	111	-	-	-		
	3	2.2	900	Three-phase	441	418	378	335	289	-	-	-		
MENC-INOX 80	6	4.5	700	Three-phase	922	876	791	691	562	367	-	-	Ø 3" gas male thread or Ø 100mm couplings	



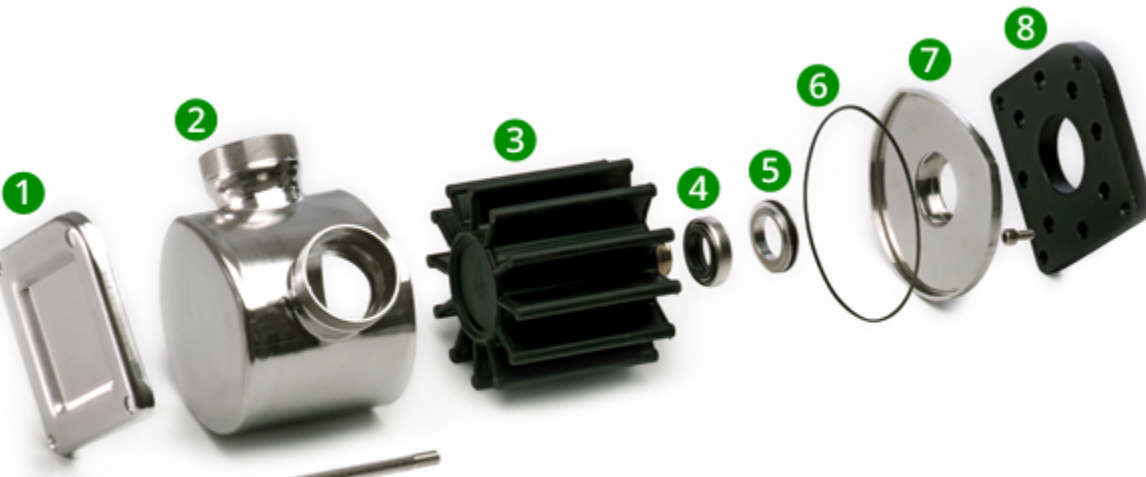
MENC-INOX 20/30/40



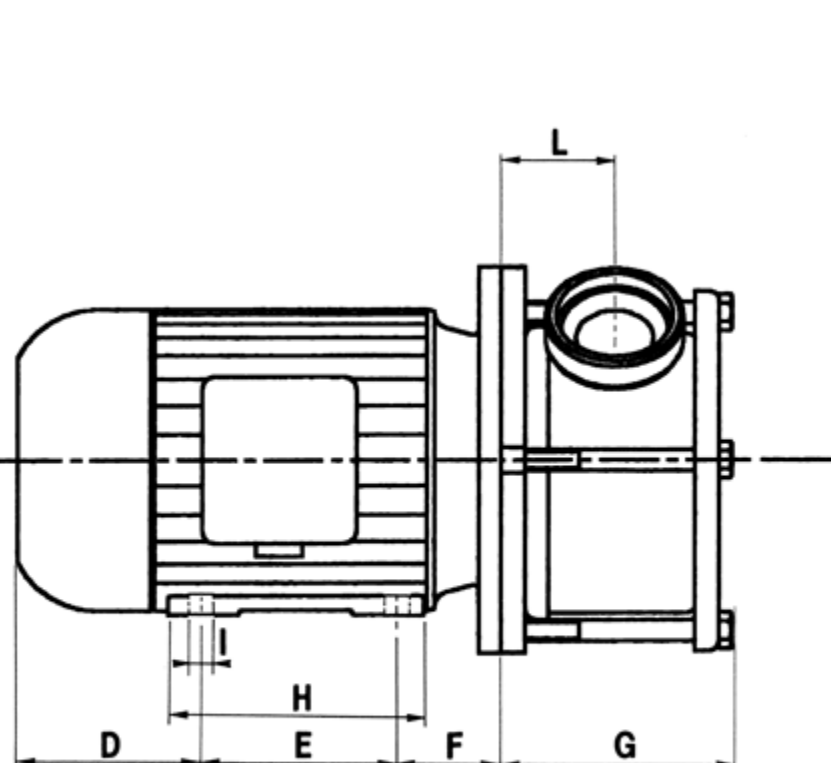
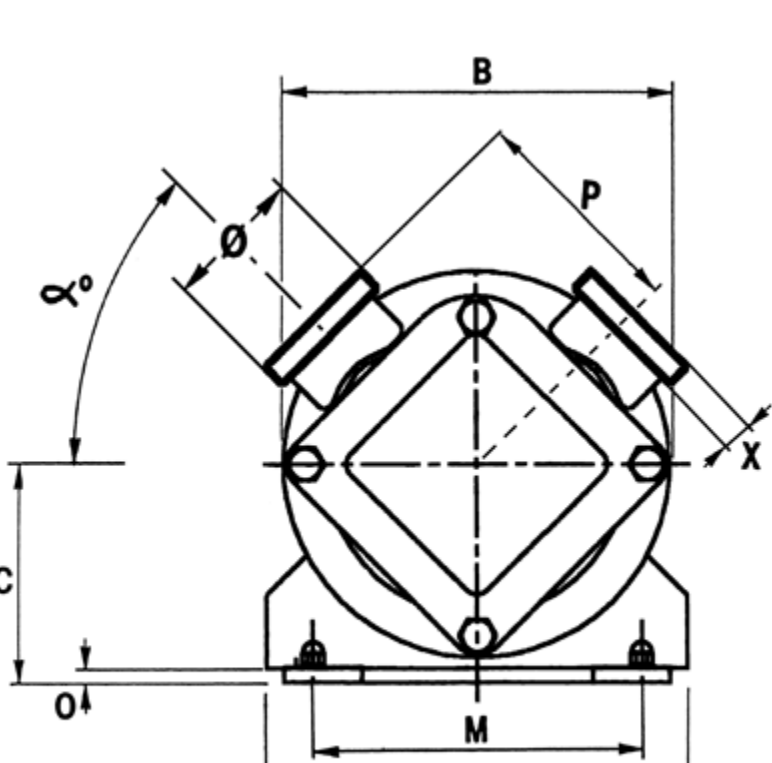
MENC-INOX 50



MENC-INOX 80



REF	DESCRIPTION	MATERIALS	REF	DESCRIPTION	MATERIALS
1	Flange	Stainless Steel	6	Body Seal Ring	NBR
2	Pump Casing	AISI 304 Stainless Steel	7	Seal Disc	Stainless Steel
3	Impeller	Neoprene	8	Flange	Stainless Steel (Aluminium for MENC-INOX 80)
4	Seal Rotating Part	Graphite, NBR, Stainless Steel	9	Tie Rod	Stainless Steel
5	Seal Fixed Part	Steel			



MOD	Dimensions [mm]														α [deg]	Ø	
	A	B	C	D	E	F	G	H	I	M	N	O	P	X			
MENC-INOX 20	315	160	72	90	90	45	91	105	7	53	112	132	10	56	13	45°	1"
MENC-INOX 30	375	210	80	100	100	45	125	170	9	58	125	158	8	-	15	45°	1 1/4"
MENC-INOX 40	430	250	130	103	140	65	135	170	12	37	165	195	47.2	160	20	45°	1 1/2"
MENC-INOX 50	435	250	115	100	140	70	125	170	11	54	190	231	11	110	17	45°	2"
MENC-INOX 80	626	250	134	140	120	235	218	13	85	195	47.2	160	20	45°	3"		