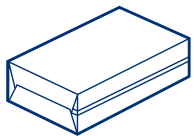


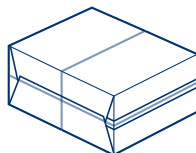
sollas XE SERIES

QUALITATIVE, MODULAR, AND FLEXIBLE

The Sollas XE is a high quality overwrapping machine that can wrap up to 50 products per minute. The machine has a modular design so it can be combined with several different Sollas infeed accessories. The SE is very flexible and can easily be adjusted to process products of different sizes.



Overwrapping



and bundling



DIGITAL VERSION



Your benefits

- ▶ High-quality and reliable overwrapping machine
- ▶ Trailing edge seal, so no seal on display side
- ▶ Easy to operate with HMI touchscreen
- ▶ Combines excellent wrapping quality with perfect product presentation, giving the consumer first-user guarantee
- ▶ High speed: up to 50/min
- ▶ Reliable mechanical drive combined with servo technology for film infeed and product pusher
- ▶ Suitable to use with environmental-friendly packaging materials, such as BOPLA, paper, and/or BOPP
- ▶ Easy and accessible machine at one level
- ▶ Quick and easy product change-over
- ▶ Flexible product size range to allow the processing of several different products
- ▶ Optional accessories, such as a tear-tape for easy opening
- ▶ Different infeed directions and bundle infeed systems possible

Options

- ▶ Teartape for easy opening
- ▶ Teartape for easy opening
- ▶ Printmark registration
- ▶ Felt-lining on contact surfaces (recommended for parfum and cosmetics)
- ▶ Spot/stripe seal (parfum and cosmetics)
- ▶ Universal folding segment, so no change parts are required
- ▶ Individual Product Transport system (IPT)
- ▶ Integrated stacking accessory
- ▶ Several types of bundle infeed systems possible (tilting, stacking, rotating, and more)

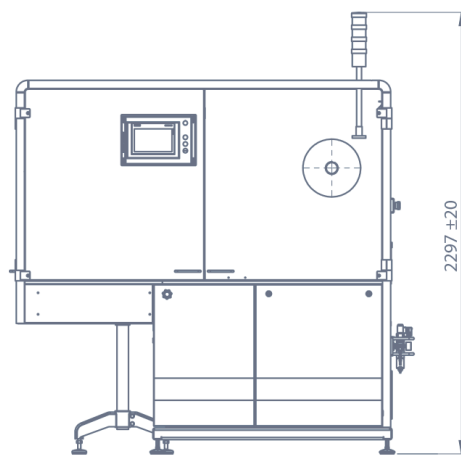
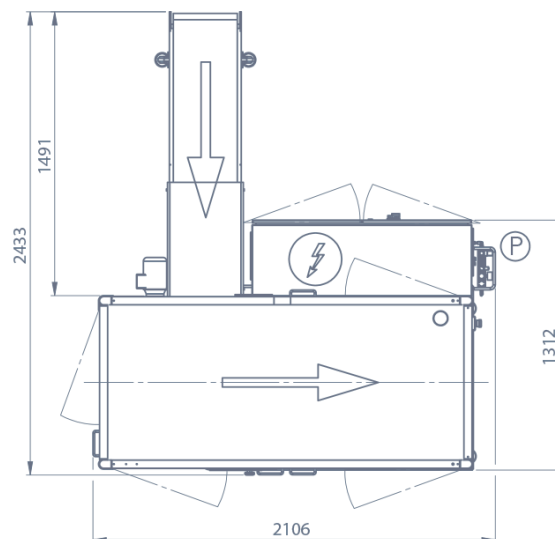
Technical details

Main specs

Max output ¹	50 /min
Min product size (mm) ²	L 45 (35) W 40 (35) H 16 (7)
Max product size (mm) ²	L 300 (336) W 225 (240) H 96 (125/140)
Film width range	50 - 420 mm
Film-roll diameter max	320 mm
Air consumption	5 nl / stroke³
Working pressure	6 bar
Power consumption	4,0 kW³
Machine approx. weight	1000 kg
Machine color	RAL 9006 (Sollas grey)
Drive system	Cam driven
Control system	PLC (Standard SIEMENS, Rockwell or Allen Bradley optional)
Configuration	HL / HR / LL / LIL / DIL
Packaging materials ⁴	Polypropyleen, coated paper, recyclable BOPP en biodegradable BOPLA

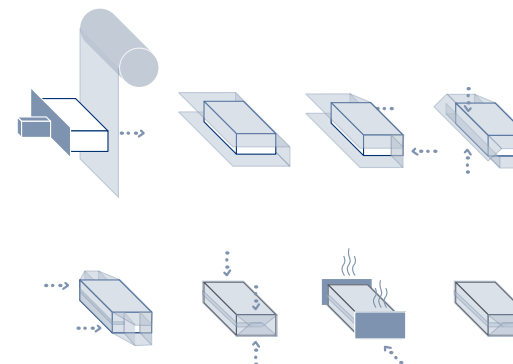
¹Depending on product and packaging material. ²Numbers within brackets indication optional changes. ³Without accessories. ⁴In general, all common heat-sealable packaging materials can be used. When in doubt, Sollas will gladly test any material that you wish to use.

Dimensions

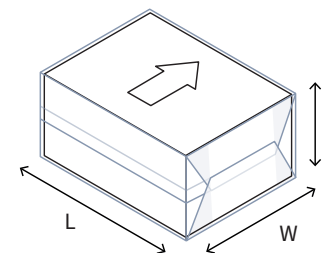


HL configuration

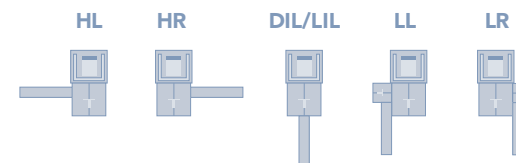
Sollas signature folding



Product dimension specification



Conveyor configurations





Sollas provides high quality packaging solutions. Our (over) wrapping and banding machines are customized and tailored to each individual situation. Quality and innovation are our keywords. Combined with a reliable service and, above all, a supportive, proactive approach, you can be sure to receive the whole package.



Sollas is a family-owned Dutch company. From our head office in Wormer, we coordinate all our national and international activities. Branch offices are to be found in France, Germany and United Kingdom. Backed by an international network of some 50 agents and distributors worldwide, we provide sound after- sales care and support.

Interested? Contact us

Headquarters

Sollas Holland BV, Bruynvisweg 1
1531AX Wormer, The Netherlands
contact@sollas.com

www.sollas.com